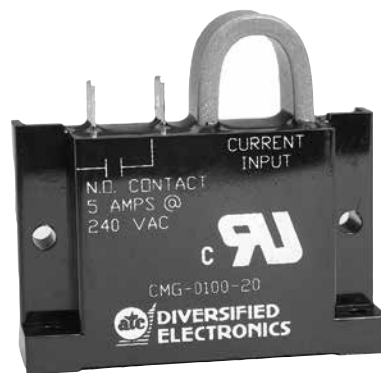


OPERATION

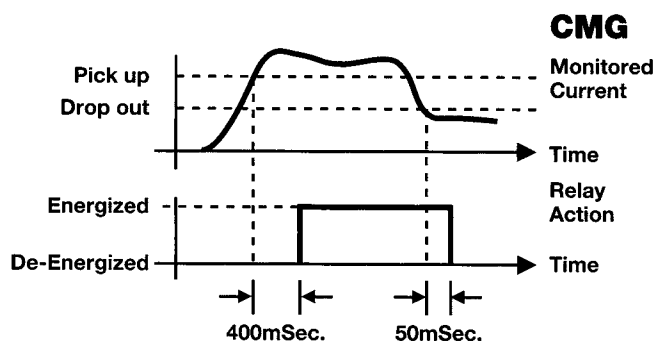
The **CMG Series** is a self powered Current Monitor/Relay that is used to detect the presence of AC current. When the monitored current exceeds the trip point for longer than 400 mSec., the internal relay energizes (Pick-up). When the monitored current drops below the trip point for longer than 50 mSec., the internal relay de-energizes (Drop-out). No physical connection is required as the line to be monitored is magnetically coupled by passing the conductor through the protruding Current Transformer of the monitor. No external supply is needed to power the monitor.

The current trip point specified is with one turn through the transformer. Each time the number of turns through the transformer doubles, the trip point effectively halves. Example: CMG-0100-20 will trip at 20 amps with one turn passing through the transformer. By placing two turns through the transformer, the relay will trip at 10 amps. Likewise, four turns will cause the relay to trip at 5 amps. (See below)



AC Self Powered Go/No-Go Current Monitor/Relays

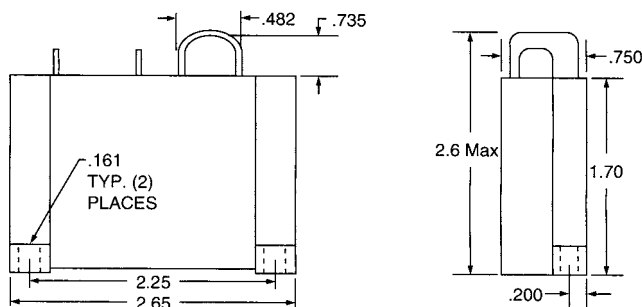
- No physical connection to the AC line that is being monitored
- Magnetically coupled by passing supply line through protruding Current Transformer
- Withstands 400 Ampere-Turns Continuous
- No supply voltage required
- Will operate on 24, 120, 240 or 480 VAC lines
- 1/4" Quick Disconnect Terminals



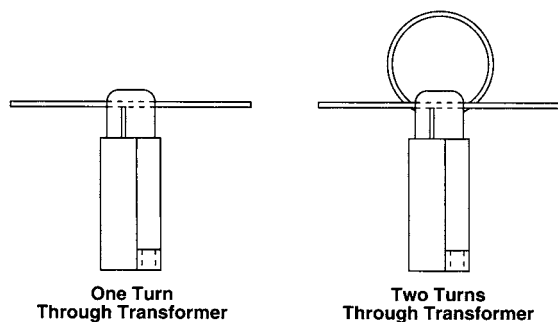
SPECIFICATIONS

CONTROL VOLTAGE	Not Required	
TRIP POINTS	Pick-up	See Order Information
	Drop-out	25% below Pick-up
OUTPUT	SPST - N.O., 5 Amps @ 240 VAC, Res. (Available as a normally closed contact upon request #CMG-0200)	
HYSTERESIS	25%	
RESPONSE TIME	Operate	400mSec. (Approximately)
	Release	50mSec.
ACCURACY	±5% on Pick-up	
TERMINATIONS	(2) 1/4" Quick Disconnect Terminals	
RESET	Automatic	
TEMPERATURE RATING	Operate	32° to 131°F (0° to +55°C)
	Storage	-49° to 185°F (-45° to +85°C)
ENCLOSURE	Style "D" Surface Mounted	
WEIGHT	4 oz.	

DIMENSIONS (INCHES)



WIRING



MODEL NUMBER

MODEL NUMBER	CMG	0100	
CURRENT TRIP POINTS			
20 amps			20
24 amps			24
28 amps			28
32 amps			32
36 amps			36